



**VEDA FRANCE**  
 Joints bâtiment - Building joints

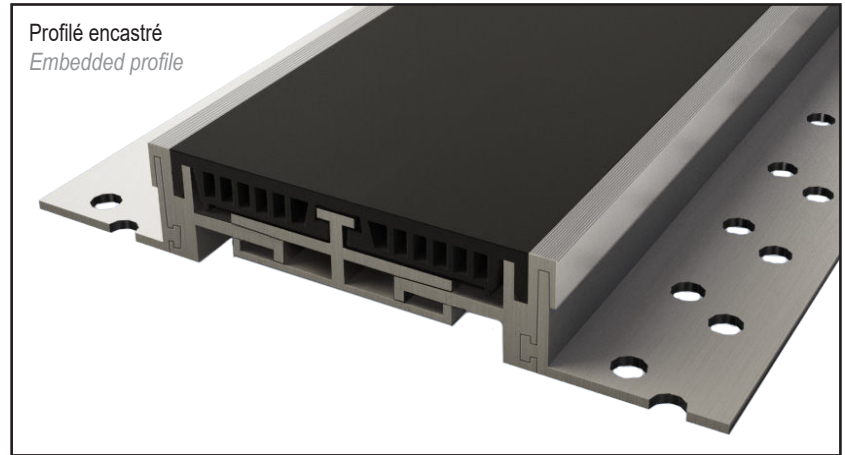
# Joint de dilatation de sol grande largeur

## Light traffic wide floor joint

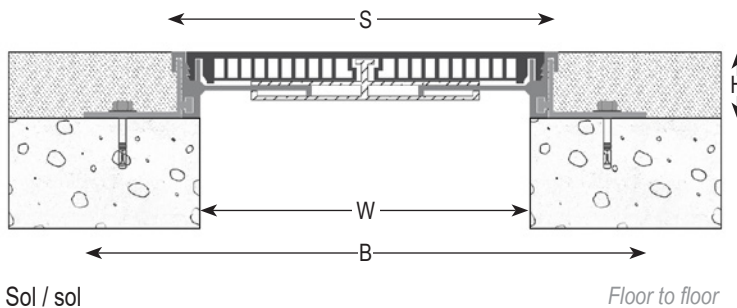
### Series JDH 5.06

Joint de dilatation de sol grande largeur constitué de cornières en aluminium reliées par un insert souple lisse noir ou gris (autres couleurs sur demande).

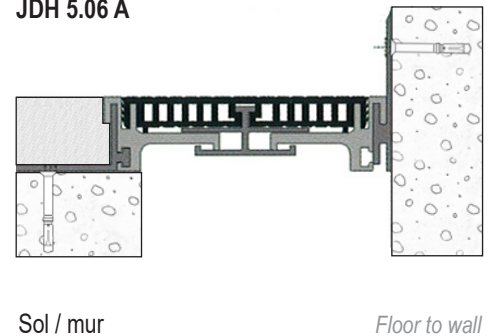
*Large mechanical floor expansion joint made of aluminium side plates with a smooth black or grey flexible insert (others colors upon request).*



JDH 5.06



JDH 5.06 A



Ref. JDH 5.06	5.06/1-100	5.06/2-100	5.06-140	5.06-170
<b>W [mm] ouverture / Gap up to [mm]</b>	100	100	140	170
<b>H [mm] hauteur / Depth [mm]</b>	20 / 35 / 40 / 50 / 55 / 60 / 80 / 100			35 / 40 / 50 / 55 / 60 / 80
<b>S [mm] approx.</b>	135	135	170	200
<b>B [mm] approx.</b>	205 / 225	225 / 245	260 / 285	285 / 305
<b>Mouvements admissibles [mm] Accommodation of movements [mm]</b>	+15 / -5		+20 / -10	+25 / -15
<b>Couleur de l'insert / Insert color</b>	Noir, gris / Black, grey			
<b>Matériau / Material</b>	Aluminium, nitrile	Aluminium, PVC, nitrile / Aluminium, PVC, nitrile		
<b>Longueur standard [m] Standard length [m]</b>	4			
<b>Charge [kN] Load-bearing capacity [kN]</b>				

The load-bearing capacity is always indicated for a joint in its initial position. In case of opening movements, the load-bearing capacity significantly reduces and the product will thus be only adapted for a light pedestrian traffic. The indicated load-bearing capacities are based on pneumatic wheels vehicles with a contact surface of 200x200 mm.

© All rights reserved - Non contractual drawings - 02/2020



**GV2 VEDA FRANCE**  
 20, Allée des Erables - Bât. E - 93420 Villepinte - France  
 Adresse Postale  
 CS 63052 - 95972 Roissy CDG Cedex

**Tél :** + 33 (0)1 48 61 70 80  
**Fax :** + 33 (0)1 48 61 70 81  
**E-mail :** contact@vedafrance.com  
**Web :** www.vedafrance.com