



**VEDA FRANCE**

Joints bâtiment - Building joints

# Joint de parking étanche Watertight car park joint

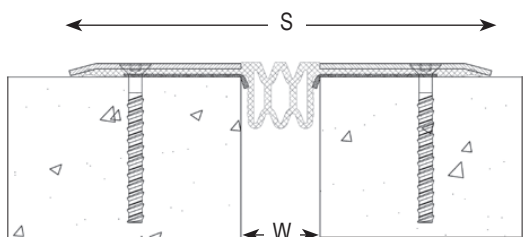
## Series JDH 5.30

Joint de dilatation de sol étanche pour parkings, rampes d'accès, esplanades, et tout autre lieu avec circulation ou non de véhicules à faible vitesse. Il est constitué de deux brides percées fraisées en aluminium brut striées ou acier de dimensions variables et d'un profilé souple étanche.

*Watertight floor expansion joint for car parks and any other places with or without traffic of slow vehicles. It is made of two mill finish aluminium or steel side plates and an interchangeable waterproofing flexible insert.*



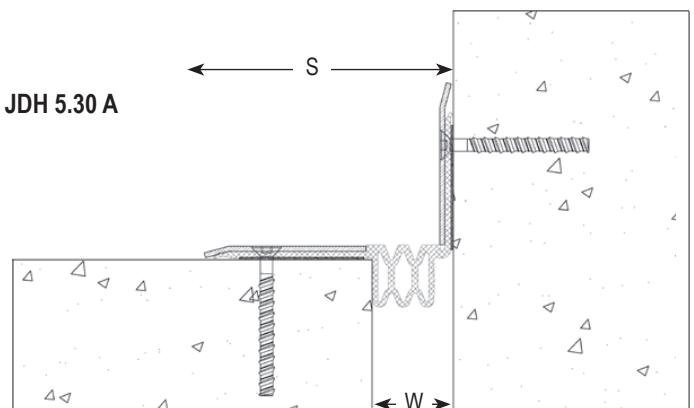
JDH 5.30



Sol / sol



Floor to floor

JDH 5.30 A



Sol / Mur

Floor to Wall

Ref. JDH 5.30	5.30	5.30 A
W [mm] ouverture / Gap up to [mm]	20 à / to 25	30 à / to 35
S [mm] approx.	160	100
Mouvements admissibles [mm] Accommodation of movements [mm]	-10 / +15 mm	-10 / +15 mm
Couleur de l'insert / Insert color	Noir, gris / Black, grey	
Matériau / Material	Aluminium brut ou acier, nitrile / Aluminium or steel, nitrile	
Fixation / Installation	Fixations disponibles sur stock. Nous consulter Fixings available from stock. Upon request.	
Longueur standard [m] / Standard length [m]	Insert : Rouleaux de 21 m - Brides : Longueurs de 3 m Insert : 21 m rolls - Side plates : 3 m lengths	
Charge [kN] Load-bearing capacity [kN]	 	

The load-bearing capacity is always indicated for a joint in its initial position. In case of opening movements, the load-bearing capacity significantly reduces and the product will thus be only adapted for a light pedestrian traffic. The indicated load-bearing capacities are based on pneumatic wheels vehicles with a contact surface of 200x200 mm.

© All rights reserved - Non contractual drawings - 08/2020

ISO 9001:2015

BUREAU VERITAS  
Certification



GV2 VEDA FRANCE

20, Allée des Erables - Bât. E - 93420 Villepinte - France

Adresse Postale

CS 63052 - 95972 Roissy CDG Cedex

Tél : + 33 (0)1 48 61 70 80

Fax : + 33 (0)1 48 61 70 81

E-mail : contact@vedafrance.com

Web : www.vedafrance.com