

Joint de dilatation de sol tout métal

All metal floor expansion joint

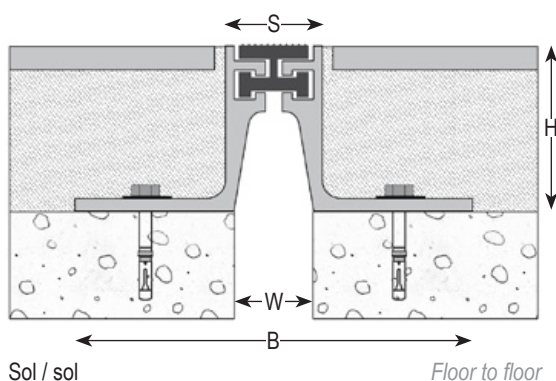
Series JDH 6.06
 Charges lourdes / Heavy duty

Joint de dilatation de sol pour extérieur et intérieur constitué de 2 cornières et d'une partie centrale en aluminium permettant les mouvements de dilatation et de contraction.

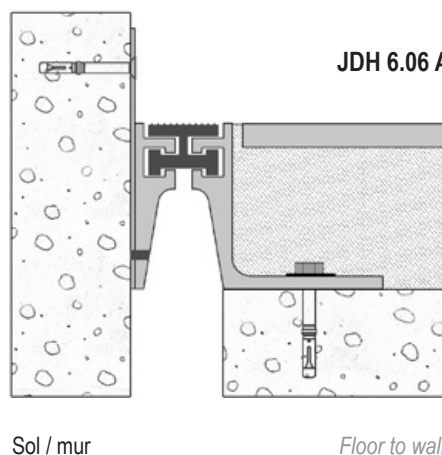
All metal floor expansion joint for exterior and interior use, made of 2 aluminium side plates and an aluminium central part, allowing expansion and contraction of the joint.



JDH 6.06



JDH 6.06 A



Ref. JDH 6.06	6.06-020
W [mm] ouverture / Gap up to [mm]	20
H [mm] hauteur / Depth [mm]	20 / 50
S [mm] approx.	30
B [mm] approx.	127
Mouvements admissibles [mm] Accommodation of movements [mm]	+3 / -3
Couleur / Color	Naturel / Natural
Matériau / Material	Aluminium / Aluminium
Longueur standard [ml] / Standard length [lm]	3
Charge [kN] Load-bearing capacity [kN]	

The load-bearing capacity is always indicated for a joint in its initial position. In case of opening movements, the load-bearing capacity significantly reduces and the product will thus be only adapted for a light pedestrian traffic. The indicated load-bearing capacities are based on pneumatic wheels vehicles with a contact surface of 200x200 mm.

© All rights reserved - Non contractual drawings - 01/2019