

Joint de dilatation de sol tout métal

All metal floor expansion joint

Series JDH 6.12
Charges lourdes / Heavy duty

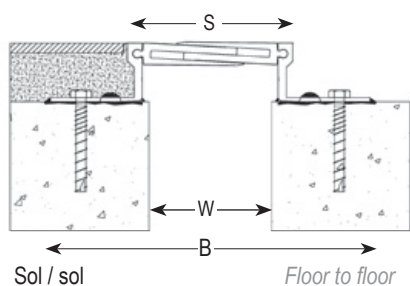
Joint de dilatation de sol sismique tout métal pour extérieur et intérieur constitué de 2 cornières en aluminium permettant les mouvements de dilatation et de contraction ainsi que les mouvements verticaux et de cisaillement.



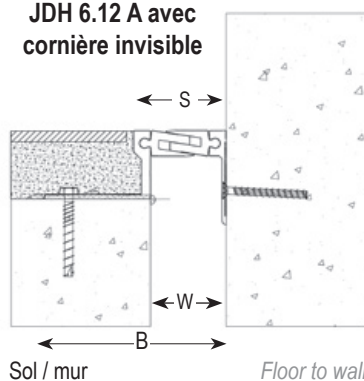
All seismic metal floor expansion joint for exterior and interior use, made of 2 aluminium side plates allowing expansion and contraction of the joint as well as vertical movement and shear movement.



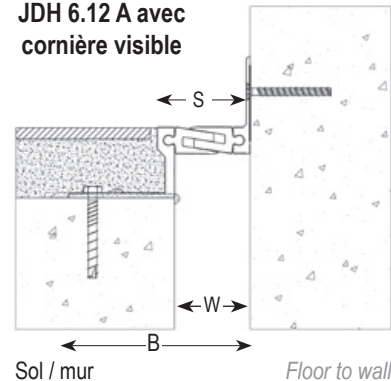
JDH 6.12



JDH 6.12 A avec cornière invisible



JDH 6.12 A avec cornière visible



Ref. JDH 6.12	6.12-040	6.12-060	6.12-110
W [mm] ouverture / Gap up to [mm]	40	60	110
H [mm] hauteur / Depth [mm]	20 / 35 / 50 / 80 / 100		
B [mm] approx.	190	215	260
S [mm] approx.	65	90	135
Mouvement admissible M [mm] Accommodation of movement M [mm]	+8 / -8	+15 / -15	+25 / -25
Matériau / Material	Aluminium anodisé* / Anodized aluminium*		
Longueur standard [m] / Standard length [m]	3		
Charge [kN] Load-bearing capacity [kN]			

Pattes de montage disponibles.

Fixations mécaniques ou chimiques tous les 30 cm, posées en quinconce de part et d'autre du profilé.

*Autres finitions possibles sur demande

Spacing leg available.

Mechanical or chemical fixings every 30 cm, alternately on each side of the profile.

*Other finishing upon request

The load-bearing capacity is always indicated for a joint in its initial position. In case of opening movements, the load-bearing capacity significantly reduces and the product will thus be only adapted for a light pedestrian traffic. The indicated load-bearing capacities are based on pneumatic wheels vehicles with a contact surface of 200x200 mm.

© All rights reserved - Non contractual drawings - 01/2019