



VEDA FRANCE

Joints bâtiment - Building joints

Joint de dilatation de sol sismique *Seismic floor expansion joint*

Series JDH 6.28

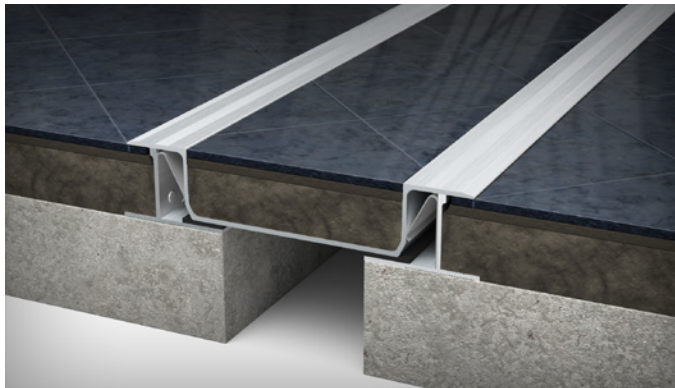
Mouvements sismiques, spécial carrelage ou pierre

Seismic movements, special tiles or stones

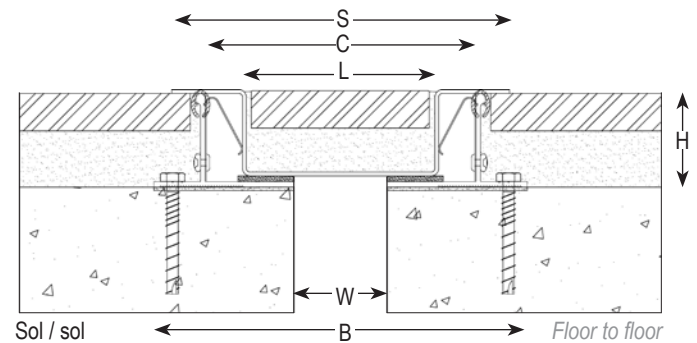
Joint de dilatation de sol spécial carrelage ou pierre, comprenant un bac central en acier inoxydable 304 ou aluminium et des cornières en aluminium, pour extérieur et intérieur. Parasismique.

Seismic expansion joint specially designed for tiles or stones, for exterior and interior use. Central pan in 304 stainless steel or aluminium, side plates in aluminium.

JDH 6.28-050 aluminium



JDH 6.28-050 inox



Ref. JDH 6.28	6.28-050*	6.28-100	6.28-150	6.28-200**
W [mm] ouverture / Gap up to [mm]	50	100	150	200
H [mm] hauteur / Depth [mm]	50			
S [mm] approx.	180	230	280	330
B [mm] approx.	200	250	300	350
L [mm] largeur libre / free width [mm]	100	150	200	250
C [mm] position initiale / Initial position [mm]	145	195	245	295
Mouvements admissibles [mm] Accommodation of movements [mm]	+25 / -25			
Matériau / Material	Acier inoxydable 304, aluminium / 304 stainless steel, aluminium			
Longueur standard [m] / Standard length [m]	3			
Charge [kN] Load-bearing capacity [kN]				

*La version aluminium est uniquement disponible en ouverture 50 mm. Fiche technique sur demande. / Aluminium version only available for 50 mm gaps. Technical sheet upon request.

**Pour le modèle 200 mm, un renfort à intégrer dans le bac est nécessaire, veuillez nous consulter. / For 200 mm gaps, a reinforcement in the screed is required. Consult us.

Existe aussi en version sol/mur. / Floor to wall profile also available.

The load-bearing capacity is always indicated for a joint in its initial position. In case of opening movements, the load-bearing capacity significantly reduces and the product will thus be only adapted for a light pedestrian traffic. The indicated load-bearing capacities are based on pneumatic wheels vehicles with a contact surface of 200x200 mm.

© All rights reserved - Non contractual drawings - 11/2019



GV2 VEDA FRANCE

20, Allée des Erables - Bât. E - 93420 Villepinte - France

Adresse Postale

CS 63052 - 95972 Roissy CDG Cedex

Tél : + 33 (0)1 48 61 70 80

Fax : + 33 (0)1 48 61 70 81

E-mail : contact@vedafrance.com

Web : www.vedafrance.com