



Joint de dilatation de sol tout métal

All metal floor expansion joint

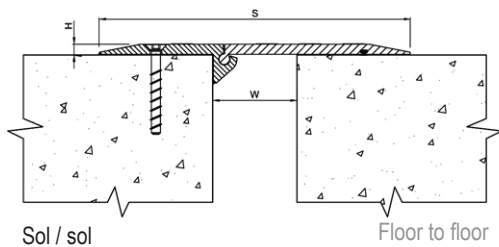
Series JDH 6.35

Joint de dilatation de sol tout aluminium pour extérieur et intérieur. Pour tous types de finition : dalle, chape, carrelage, marbre...
 Idéal pour des différences de niveaux jusqu'à 40 mm.

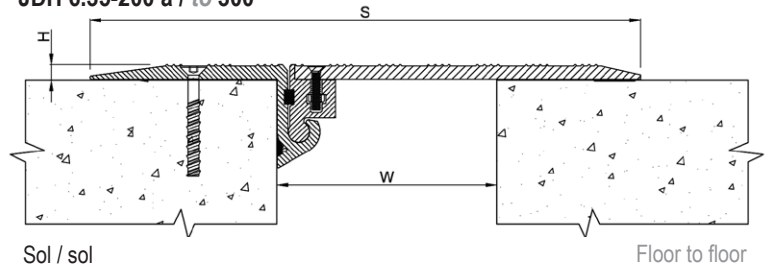
*Aluminium floor expansion joint for exterior and interior use.
 For all types of finishes : screed, natural stone, cast stone, marble...
 Recommended in case of vertical differences up to 40mm.*



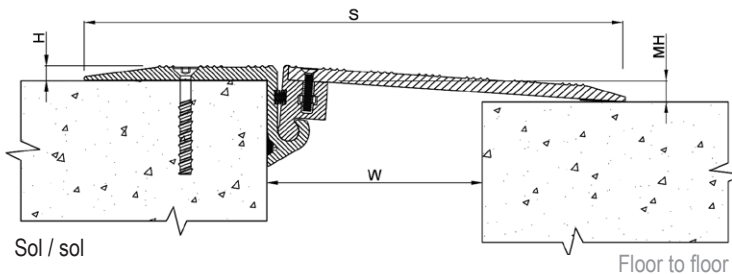
JDH 6.35-075 à / to 150



JDH 6.35-200 à / to 300



JDH 6.35-200 à / to 300
 avec différences de niveaux /
 with vertical differences



Ref. JDH 6.35	6.35-050	6.35-075	6.35-100	6.35-150	6.35-200	6.35-250	6.35-300
W [mm] Ouverture jusqu'à / Gap up to	50	75	100	150	200	250	300
H [mm] Hauteur / Depth	6	9	9	12	13	12	12
S [mm] approx	238	277	302	400	501	601	653
Mouvements admissibles [mm] Movement capacities [mm]	+85 / -30	+75 / -50	+100 / -75	+120 / -120	+145 / -145	+175 / -175	+215 / -215
Mouvements Verticaux M_H [mm] Vertical movements M_H [mm]	Jusqu'à 40 / Up to 40						
Matériau / Material	Aluminium / Aluminium						
Longueur standard [ml] / Standard length [lm]	3						
Charges Load-bearing capacities							

Fixations : nous consulter pour préconisation. / Fixings : please contact us for technical recommendation.

The load-bearing capacity is always indicated for a joint in its initial position. In case of opening movements, the load-bearing capacity significantly reduces and the product will thus be only adapted for a light pedestrian traffic. The indicated load-bearing capacities are based on pneumatic wheels vehicles with a contact surface of 200x200 mm.

© All rights reserved - Non contractual drawings - 06/2021



Joint de dilatation de sol tout métal

All metal floor expansion joint

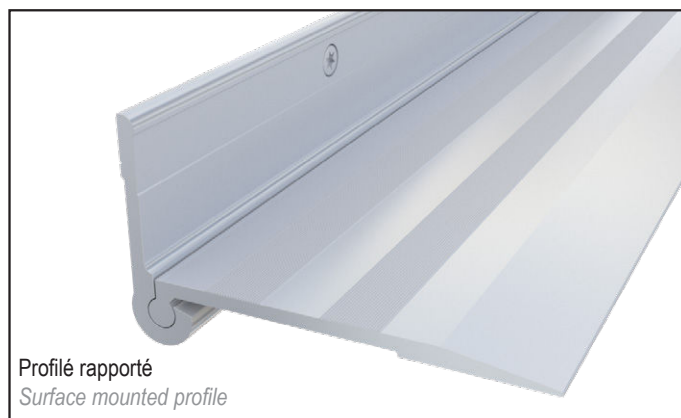
Series JDH 6.35 A

Joint de dilatation de sol tout aluminium pour extérieur et intérieur. Pour tous types de finition : dalle, chape, carrelage, marbre...

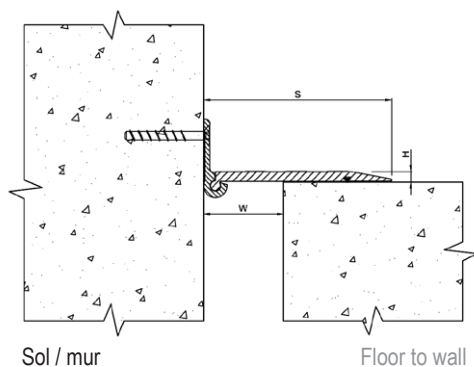
Idéal pour des différences de niveaux jusqu'à 40 mm.

Aluminium floor expansion joint for exterior and interior use. For all types of finishes : screed, natural stone, cast stone, marble...

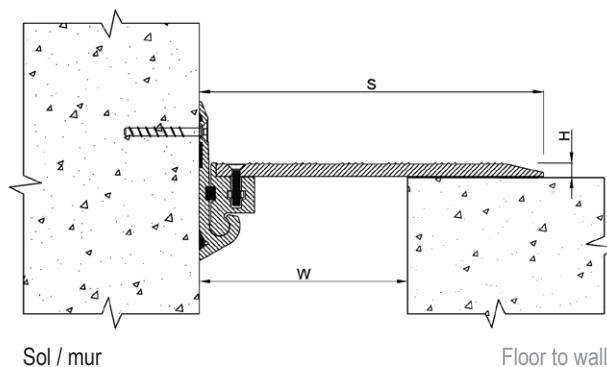
Recommended in case of vertical differences up to 40mm.



JDH 6.35-075 A à / to 150 A



JDH 6.35-200 A à / to 300 A



Ref. JDH 6.35 A	6.35-050 A	6.35-075 A	6.35-100 A	6.35-150 A	6.35-200 A	6.35-250 A	6.35-300 A
W [mm] Ouverture jusqu'à / Gap up to	50	75	100	150	200	250	300
H [mm] Hauteur / Depth	6	9	9	12	12	12	13
S [mm] approx	137	177	202	286	330	430	515
Mouvements admissibles [mm] Movement capacities [mm]	+65 / -30	+80 / -50	+100 / -75	+100 / -125	+100 / -145	+125 / -175	+150 / -215
Mouvements Verticaux M_H [mm] Vertical movements M_H [mm]	Jusqu'à 40 / Up to 40						
Matériau / Material	Aluminium / Aluminium						
Longueur standard [ml] / Standard length [lm]	3						
Charges Load-bearing capacities							

Fixations : nous consulter pour préconisation. / Fixings: please contact us for technical recommendation.

The load-bearing capacity is always indicated for a joint in its initial position. In case of opening movements, the load-bearing capacity significantly reduces and the product will thus be only adapted for a light pedestrian traffic. The indicated load-bearing capacities are based on pneumatic wheels vehicles with a contact surface of 200x200 mm.

© All rights reserved - Non contractual drawings - 06/2021