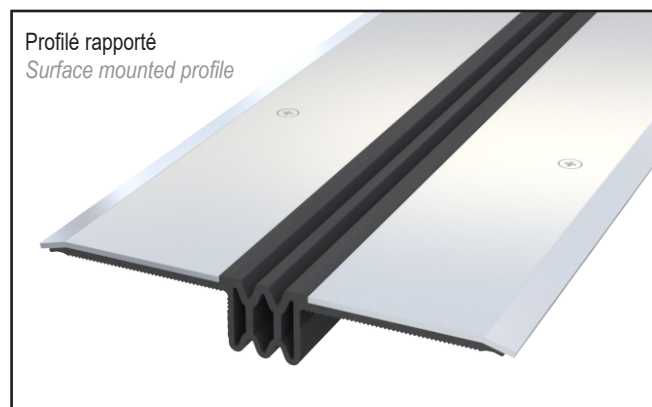


### Series JDH 5.305

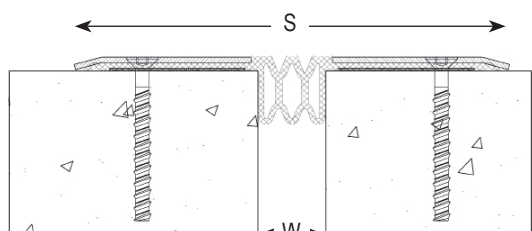
Joint de dilatation de sol étanche pour parkings, rampes d'accès, esplanades et tout autre lieu avec circulation ou non de véhicules à faible vitesse.

Constitué d'un profilé souple étanche interchangeable maintenu par deux brides percées fraisées en aluminium brut striées ou acier galvanisé ou inox.

*Watertight floor expansion joint for car parks, access ramps, esplanades and any other place with or without traffic of slow vehicles. Made of an interchangeable waterproofing flexible insert and mill finish aluminium or galvanized steel or stainless steel side plates.*



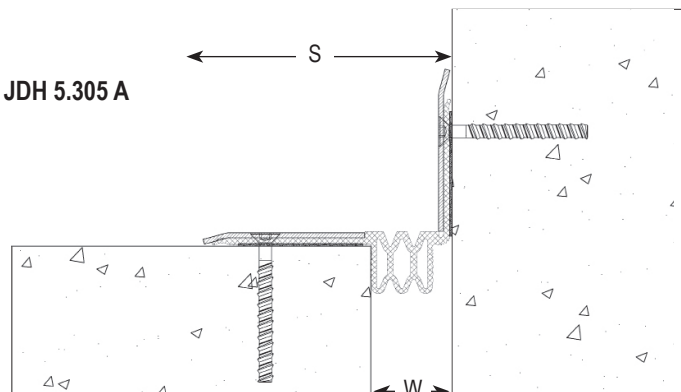
**JDH 5.305**



Sol / sol



Floor to floor

**JDH 5.305 A**



Sol / mur

Floor to wall

Ref. JDH 5.305	5.305	5.305 A
W [mm] ouverture / Gap up to [mm]	20 à / to 25	25 à / to 35
S [mm] approx.	160	100
Mouvements admissibles [mm] Movement capacities [mm]	-10 / +15	-10 / +15
Couleurs de l'insert / Insert colors	Noir ou gris / Black or grey	
Matériaux / Materials	Brides aluminium brut ou acier galvanisé ou inox (304 ou 316) et insert nitrile Mill finish aluminium or galvanized steel or stainless steel (304 or 316) side plates and nitrile insert	
Fixations / Installation	Fixations disponibles sur stock. Nous consulter / Fixings available from stock. Upon request	
Longueurs standard [ml] / Standard lengths [lm]	Brides : Longueurs de 3 ml - Insert : Rouleaux de 21 ml Side plates: 3 lm lengths - Insert: 21 lm rolls	
Charges [kN] Load-bearing capacities [kN]	 	

Collage des ailes latérales de l'insert préconisé. / We recommend to glue the wings of the insert.

Thermosoudures d'insert préconisées pour les raccords. / Hot-welding recommended for junction of the flexible insert.

The load-bearing capacity is always indicated for a joint in its initial position. In case of opening movements, the load-bearing capacity significantly reduces and the product will thus be only adapted for a light pedestrian traffic. The indicated load-bearing capacities are based on pneumatic wheels vehicles with a contact surface of 200x200 mm.

© All rights reserved - Non contractual drawings - 03/2021