

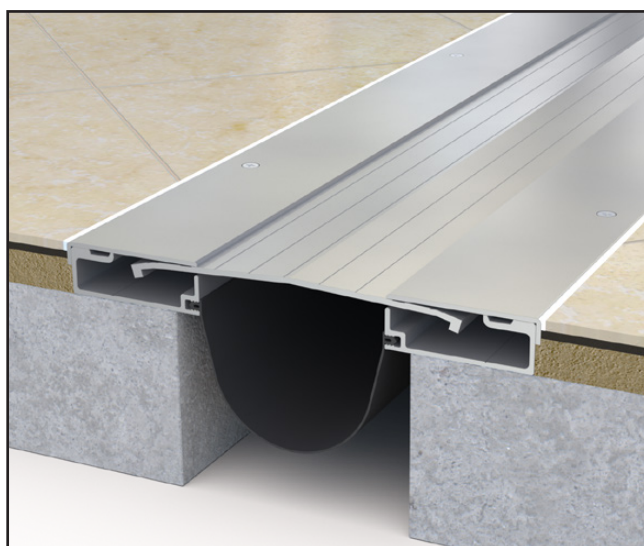
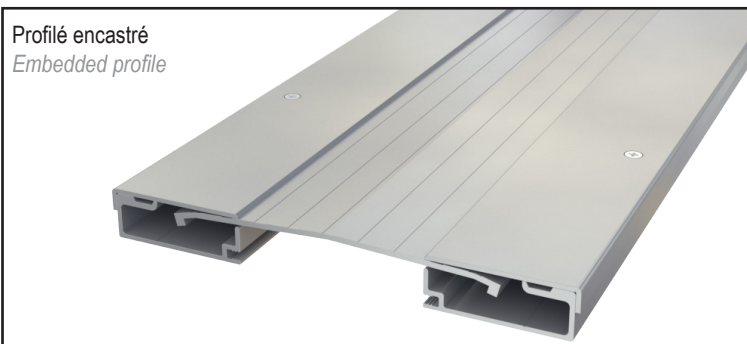
Joint de dilatation de sol tout métal

All metal floor expansion joint

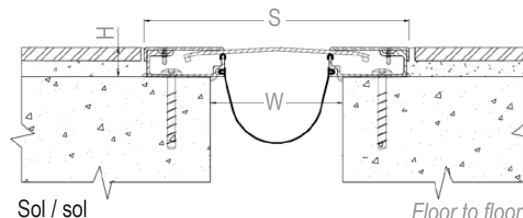
Series JDH 6.24

Joint de dilatation de sol sismique tout métal pour extérieur et intérieur. Pour tous types de finitions : dalle, chape, carrelage, marbre...

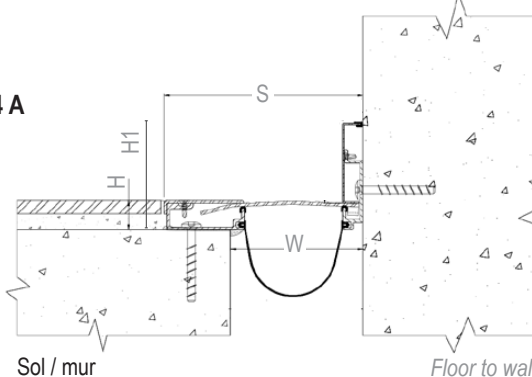
All metal floor expansion joint for exterior and interior use. For all types of finishes: screed, natural stone, cast stone, marble...



JDH 6.24



JDH 6.24 A



Ref. JDH 6.24	6.24-050	6.24-100	6.24-150	6.24-200	6.24-050 A	6.24-100 A	6.24-150 A	6.24-200 A
W [mm] Ouverture jusqu'à / Gap up to	50	100	150	200	50	100	150	200
H [mm] Hauteur / Depth	22		32		22		32	
H1 [mm] Hauteur / Depth	-				80		94,5	
S [mm] approx.	160	200	330	330	105	150	240	265
Mouvements admissibles [mm] Movement capacities [mm]	+40 / -40	+40 / -40	+85 / -100	+85 / -100	+25 / -25	+30 / -30	+50 / -50	+60 / -70
Matériaux / Materials	Bases aluminium et parties supérieures acier inoxydable / Aluminum bases and stainless steel top parts							
Longueur standard [m] Standard length [m]	3							
Charges Load-bearing capacities								

Fixations : nous consulter pour préconisation. / Fixings : please contact us for technical recommendation.

The load-bearing capacity is always indicated for a joint in its initial position. In case of opening movements, the load-bearing capacity significantly reduces and the product will thus be only adapted for a light pedestrian traffic. The indicated load-bearing capacities are based on pneumatic wheels vehicles with a contact surface of 200x200 mm.

© All rights reserved - Non contractual drawings - 11/2021

Système de management certifié

ISO 9001:2015

BUREAU VERITAS
Certification



GV2 VEDA FRANCE

20, Allée des Erables - Bât. E - 93420 Villepinte - France

Adresse Postale

CS 63052 - 95972 Roissy CDG Cedex

Tél : + 33 (0)1 48 61 70 80

Fax : + 33 (0)1 48 61 70 81

E-mail : contact@vedafrance.com

Web : www.vedafrance.com