

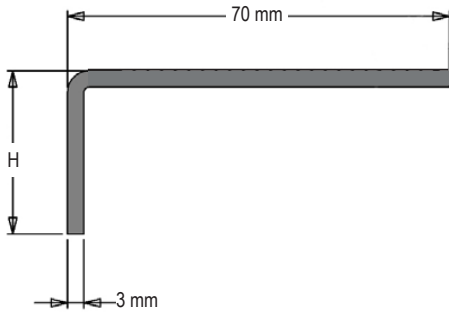
Nez de marche antidérapant, trafic intense

Antislip stair nosing, heavy traffic

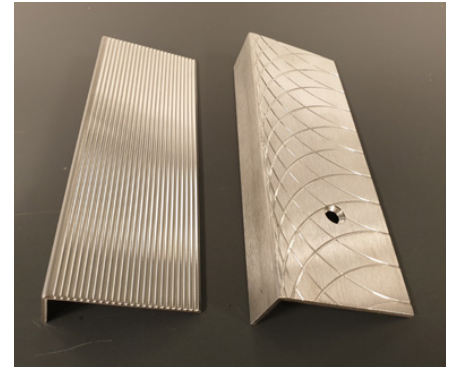
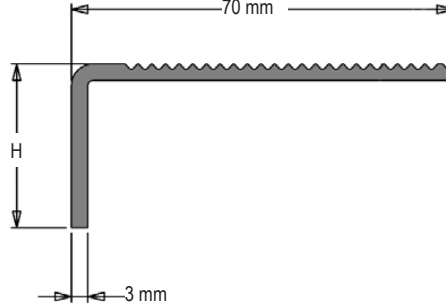
NDM inox VDi strié et arabesque

NDM stainless steel VDi striped and arabesque

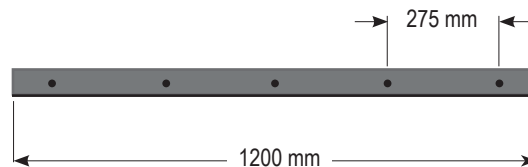
NDM VDi arabesque / NDM VDi arabesque



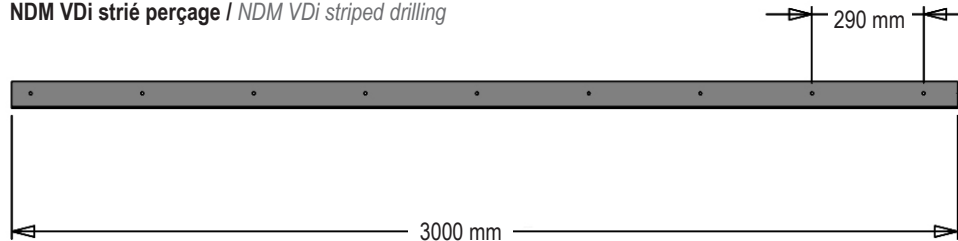
NDM VDi strié / NDM VDi striped



NDM VDi arabesque perçage / NDM VDi arabesque drilling



NDM VDi strié perçage / NDM VDi striped drilling



Ref.	NDM inox VDi strié	NDM inox VDi arabesque	NDM stainless steel VDi striped	NDM stainless steel VDi arabesque
	Profilé de finition pour marche béton Antidérapant, trafic intense		Heavy traffic, antislip stair nosings for concrete stair	
Emploi / Use	Bâtiments industriels, gares, aéroports, parkings, écoles, hôpitaux, centres commerciaux, bureaux, etc.		Industrial buildings, railway stations, airports, car parks, schools, hospitals, shopping centers, office buildings, etc.	
Matériaux / Materials	Inox 304 ou 316L	Inox 304 ou 316	Stainless steel 304 or 316L	Stainless steel 304 or 316
Installation / Fixing	Perçage/fraisage tous les 290 mm (départ et fin à 50 mm)	Perçage/fraisage tous les 275 mm (départ et fin à 50 mm)	Drilling/milling every 290mm (start and end at 50mm)	Drilling/milling every 275mm (start and end at 50mm)
H [mm] Hauteur / Height	30 ou 40		30 or 40	
Longueur standard [m] Standard length [lm]	3	1,20	3	1,20

Support acier inox disponible sur demande. / Stainless steel support available upon request.
 Autres dimensions et finitions disponibles sur demande. / Other dimensions and finishes available upon request.

© All rights reserved - Non contractual drawings - 03/2024

Certified management system

ISO 9001:2015

BUREAU VERITAS
 Certification



GV2 VEDA FRANCE

20, Allée des Erables - Bât. E - 93420 Villepinte - France

Postal Address

CS 63052 - 95972 Roissy CDG Cedex

Tel : + 33 (0)1 48 61 70 80

Fax : + 33 (0)1 48 61 70 81

E-mail : export@vedafrance.com

Web : www.vedafrance.com